



Flange Repair Clamps - Stop leaks in flange gaskets

Flange Repair clamps WA-FRC units are a permanent repair clamp for leaking flange gaskets.

The line remains in service during installation, no costly shutdowns.

Flange repair clamps can be installed by company maintenance personnel.

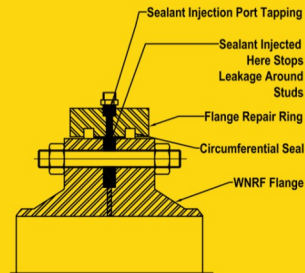
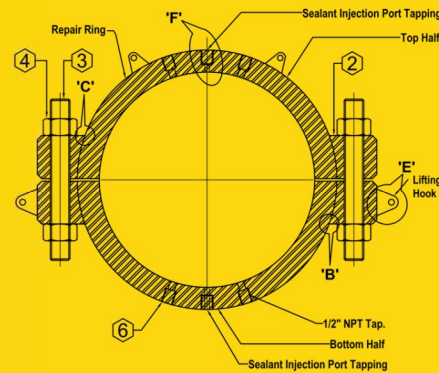
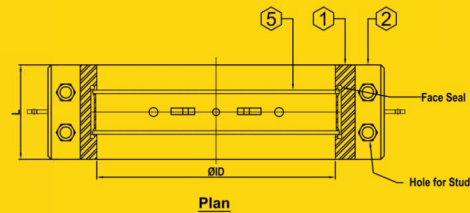
Design standards:

API SPEC 6H, Specification on End Closures, Connectors and Swivels

API SPEC 5L, Specification for Line Pipe

ASME Pressure Vessel Code, Section VIII

ASME/ANSI B18.2.1, Square and Hex Bolts and Screw Inch Series



Body	ASTM A516
Stud Bolts	A193 Gr. B7
Nuts	A194 Gr. 2H
Gaskets	NBR (others available on request)

Experienced staff can provide solution guidance and recommendations

<http://www.pipelinecoupling.com/pages2/split-sleeve-boltable-repair.php#flange>

WESTATLANTIC Tech Corp.
 www.westatlantictech.com / www.pipelinecoupling.com

sales@westatlantictech.com 902 455 4455