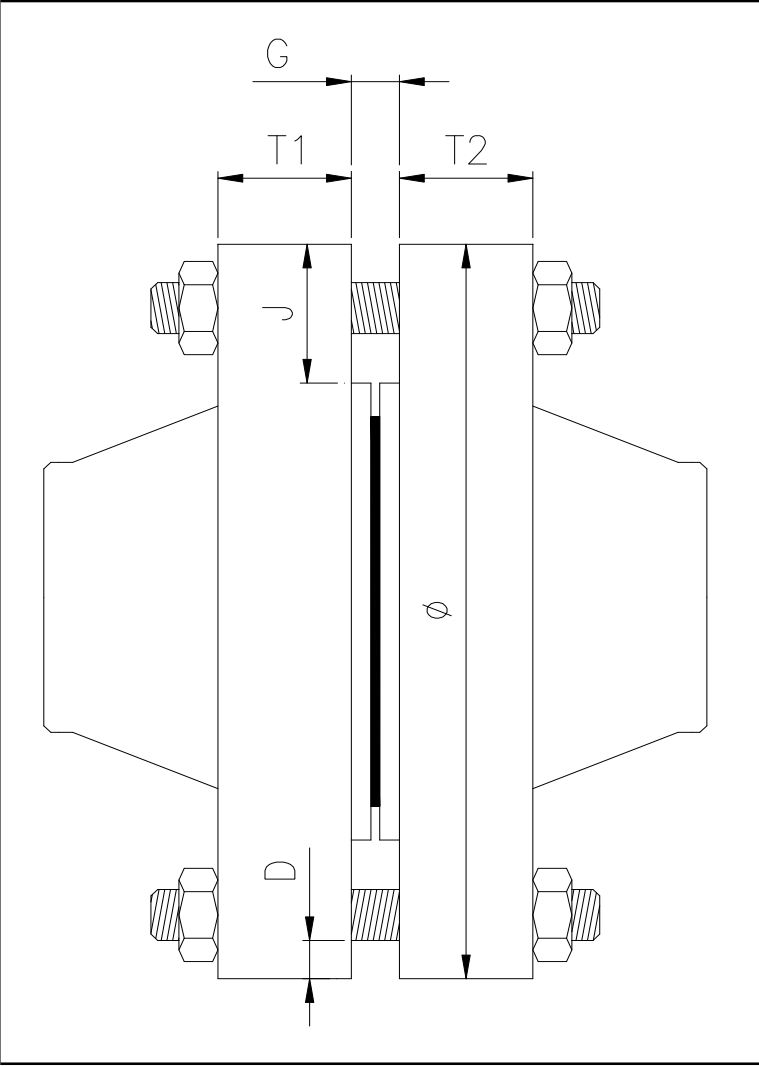


Customer	Date		
Identification rec			
Flange Class:			
Working Pressure			
Max Design Press			
Temperature (°C)			
Fluid			
T1 (mm)			
T2 (mm)			
G (mm)			
Ø (mm)			
D (mm)			
J (mm)			
No. of Studs			
Injection Port Size:			
Metric (mm)			
NPT (inch)			
Flange Type	Service Line	Bonnet	other
Flange Face Type	RF FF	RTJ	other
Pressure Rating	150# 300#	400#	600# other
Limitation Around the Flanged Joint	Yes	No	
● If YES, attach an illustrative sketch including orientations and distances.			
Extras			