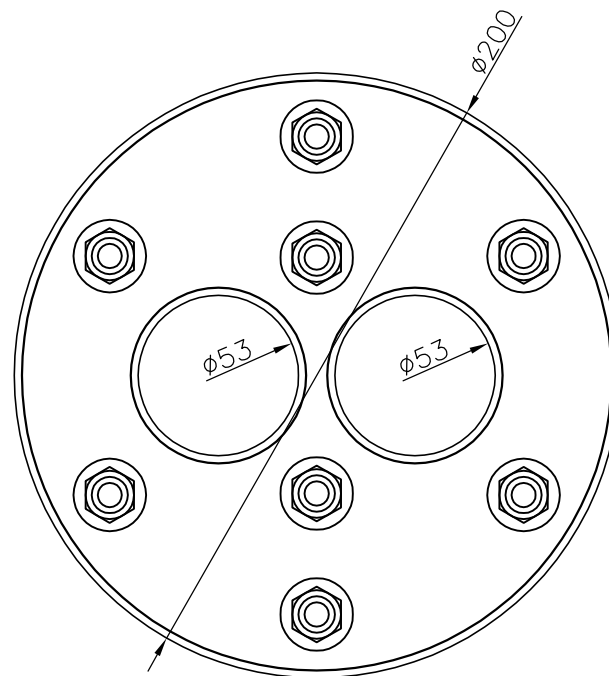
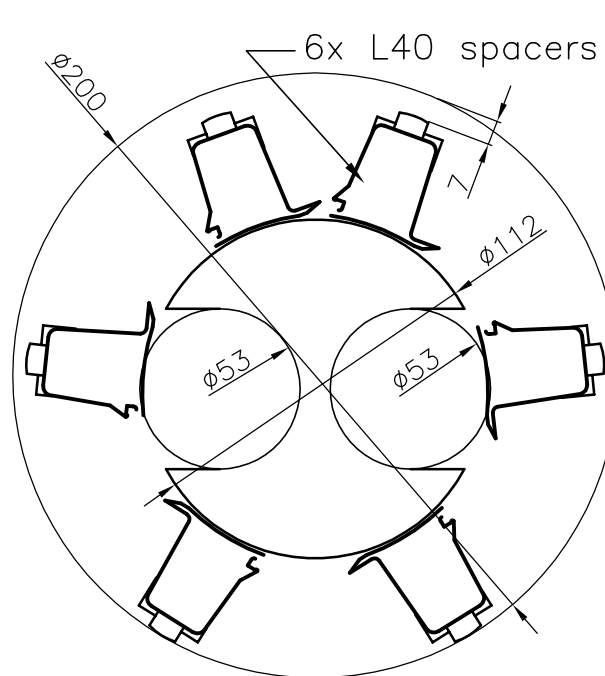


**Non-metallic multi pipe casing spacer with roller wheels and matching multi pipe end seals**



- Casing Spacers with Roller Wheels
- Friction reducing install forces.
- Isolation spacers.
- Carrier pipe through Tunnel