

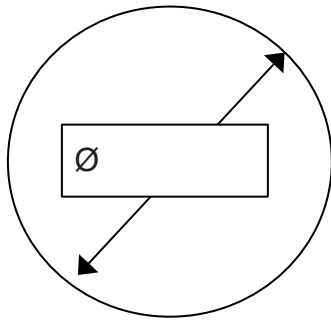
Selection form - flap cover

Customer: _____ Address: _____

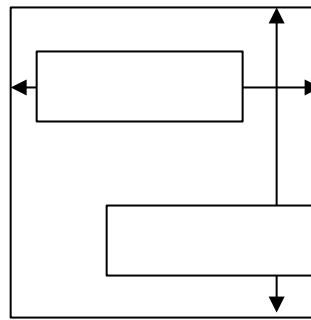
Project: _____ No of flap valves: _____

1. Size and shape of the opening

round



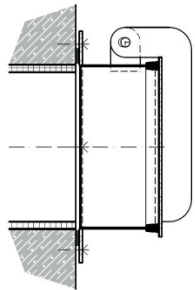
rectangular



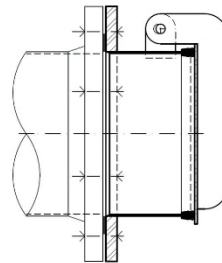
Please give all dimensions

2. Installation

for wall mount

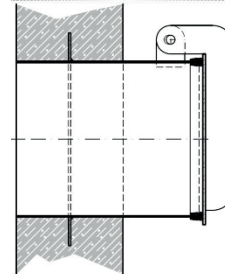


Connection to a flange



ANSI

for embedding



Supply fasteners (chem anchors/screws for flange)

3. Materials

Flap valve:

- Stainless steel 304
- Stainless steel 316
- Steel hot dip galvanized
- Other: _____

Sealing:

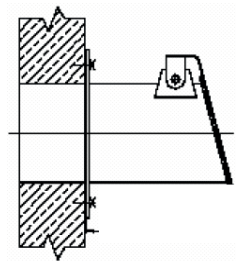
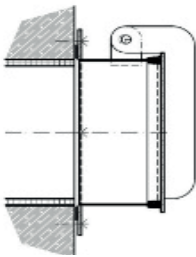
- EPDM
- NBR
- Other: _____

4. Counterweight

- Counterweight above, so to open at a low internal pressure
- Counterweight below, so to open at a stronger internal pressure
- The flap valve should open at a differential pressure of _____ bar

5. Cover

- flat cover
- angled cover, angle 15°, desired angle: _____



6. Features

- End stop damper
- Other: _____

Remarks:

Telephon/E-Mail (for inquiry calls):