

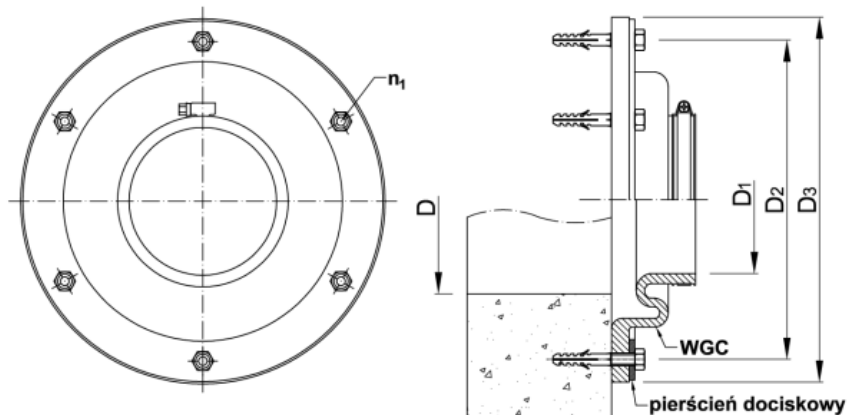
## WA-WGC External wall pipe seal.



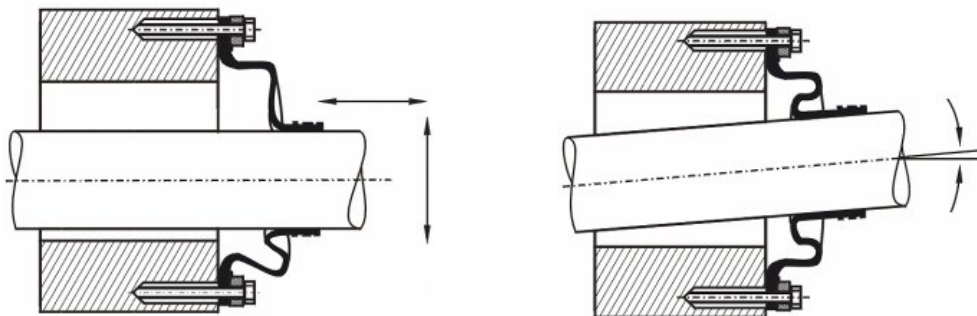
Diameter range:  
 1 inch to 10 inch (DN 25 - DN 250) - Larger openings on request

Weather proof boot seals  
 Flange Material: Stainless steel  
 Sealing material: EPDM, NBR, or SILICONE  
 Elastomer working temperature:  
 EPDM (-30 ° C - + 100 ° C)  
 NBR (-20 ° C - + 90 ° C)  
 SILICONE (-55 ° C - + 230 ° C)

Mounting for Flat Walls or Rounded walls



WA-WGC type seals, external wall designed, for weather tight applications and low head conditions. Pipe through wall connections to buildings. Allows pipe displacing without unsealing the connection.



Quote Contact Westatlantic: